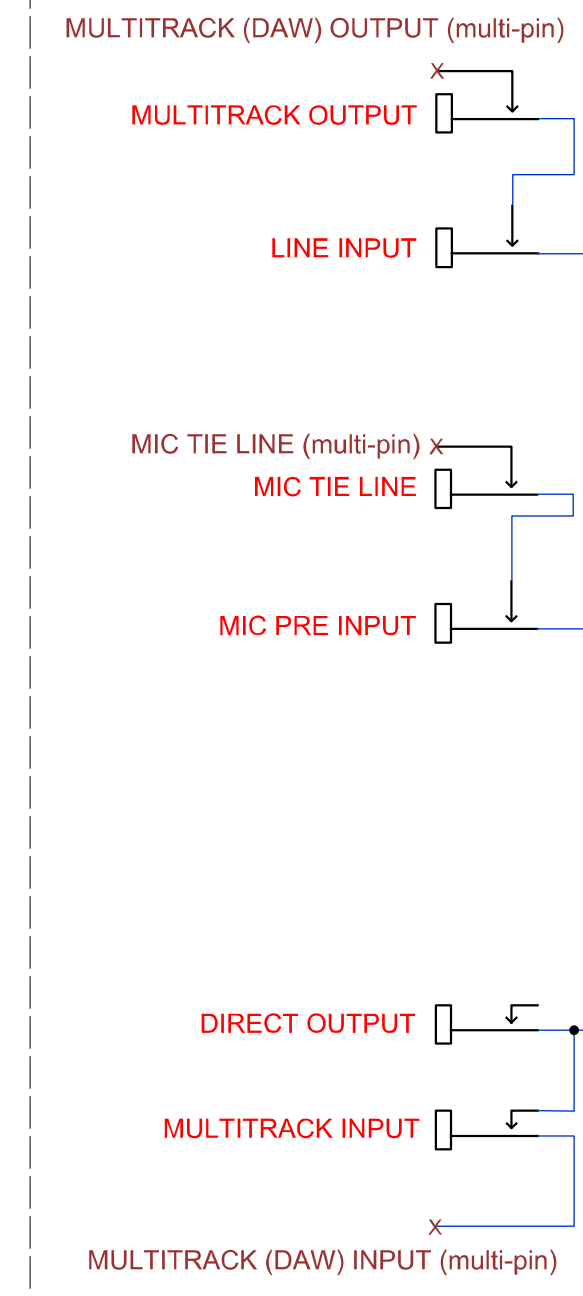
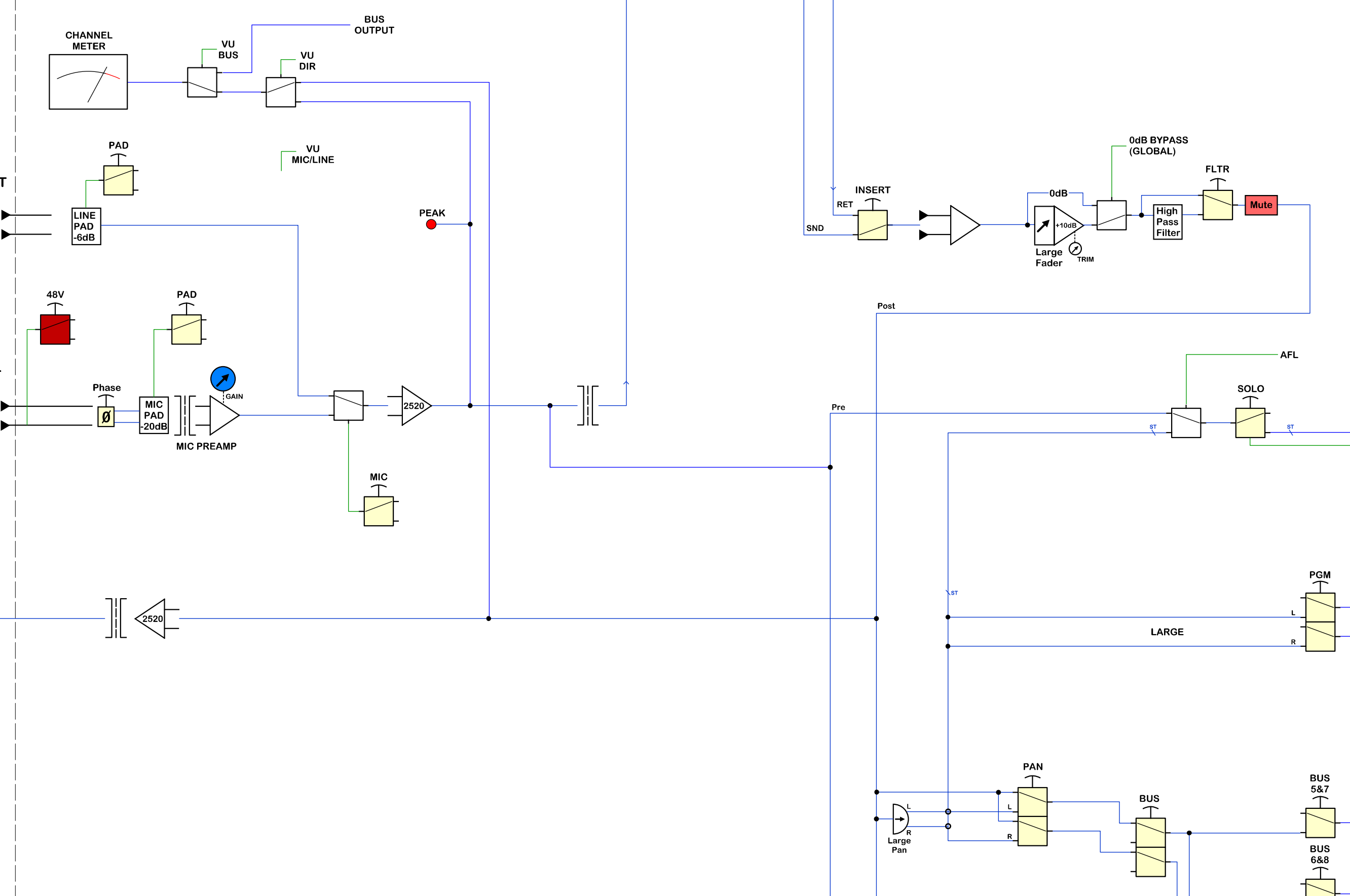


# API 1608-II Block Diagram

## OPTIONAL PATCHBAY CONNECTIONS



## 548C INPUT MODULE



## 265C STEREO RETURN & AUX MASTER MODULE

