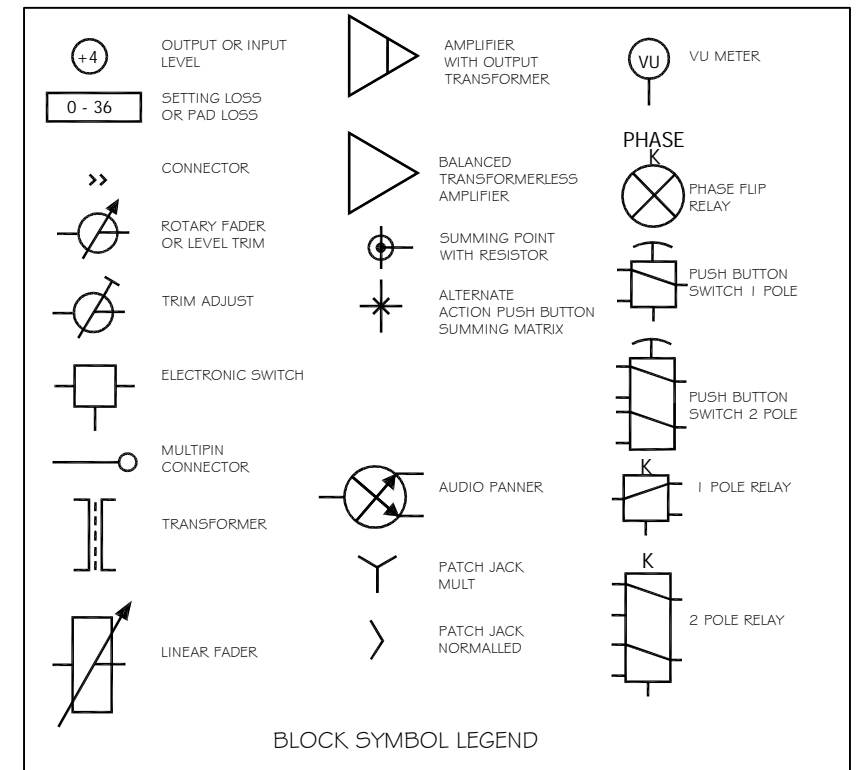
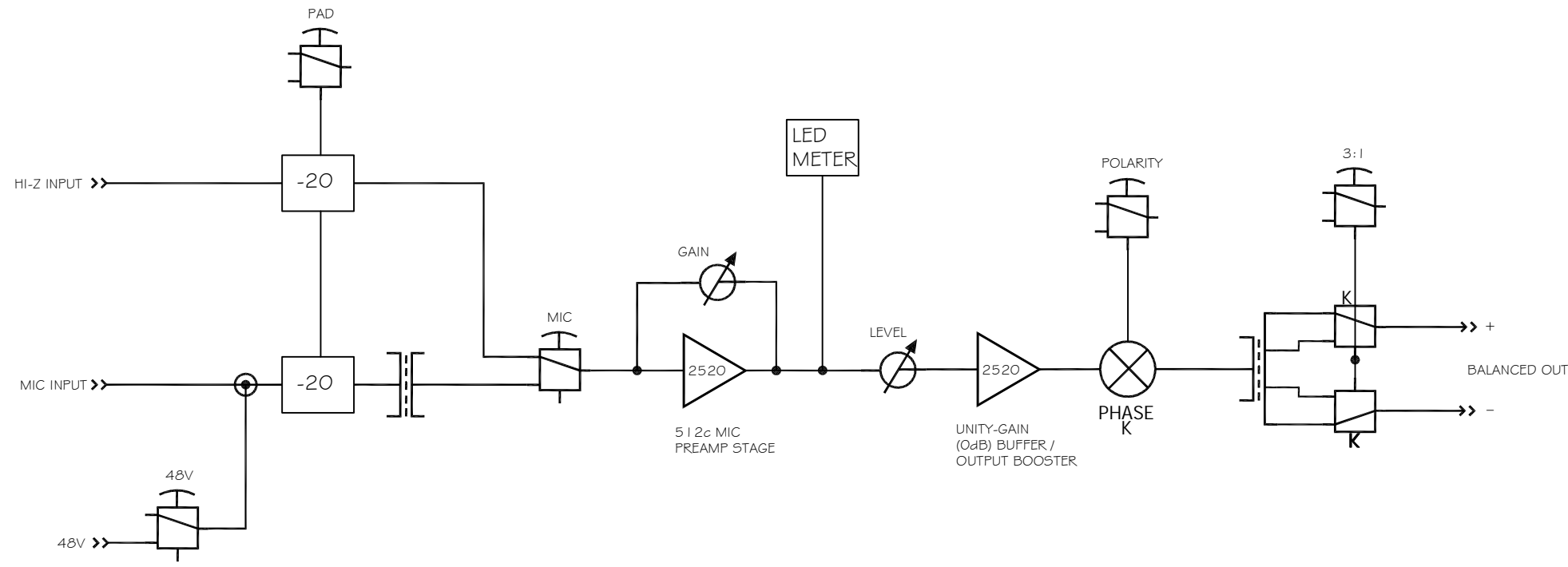


EXCEPT AS MAY BE OTHERWISE PROVIDED BY CONTRACT, THESE DRAWINGS AND SPECIFICATIONS ARE THE PROPERTY OF AUTOMATED PROCESSES, INC., ARE ISSUED IN STRICT CONFIDENCE AND SHALL NOT BE REPRODUCED OR COPIED, OR USED AS THE BASIS FOR THE MANUFACTURE OR SALE OF APPARATUS WITHOUT PERMISSION.

ZONE	REV	DESCRIPTION	DATE	APPD



TOLERANCES UNLESS OTHERWISE NOTED
 FRACTIONS: +/-
 .XX = +/- 0.02
 .XXX = +/- 0.005
 ANGLES = +/- 1/2°
 SEE SEPARATE PARTS LIST
 SCALE

DRAWN JKR DATE 6/28/16
 CHECK XXXXXX DATE XXXXX
 APPVD XXXXXX DATE XXXXX
 MATERIAL
 FINISH

AUTOMATED PROCESSES, INC.
 8301 PATUXENT RANGE ROAD, JESSUP, MD 20794 301 776 7879

TITLE
 512V MIC PREAMP
 BLOCK DIAGRAM

SIZE B	DWG NO. 49-951-0922	REV A	SHEET 1 OF 1
-----------	------------------------	----------	-----------------