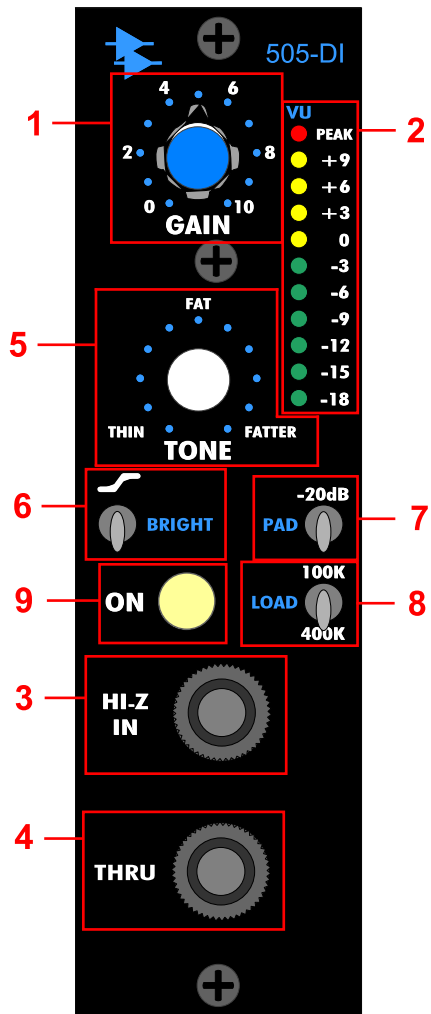




505-DI DIRECT INPUT USER GUIDE



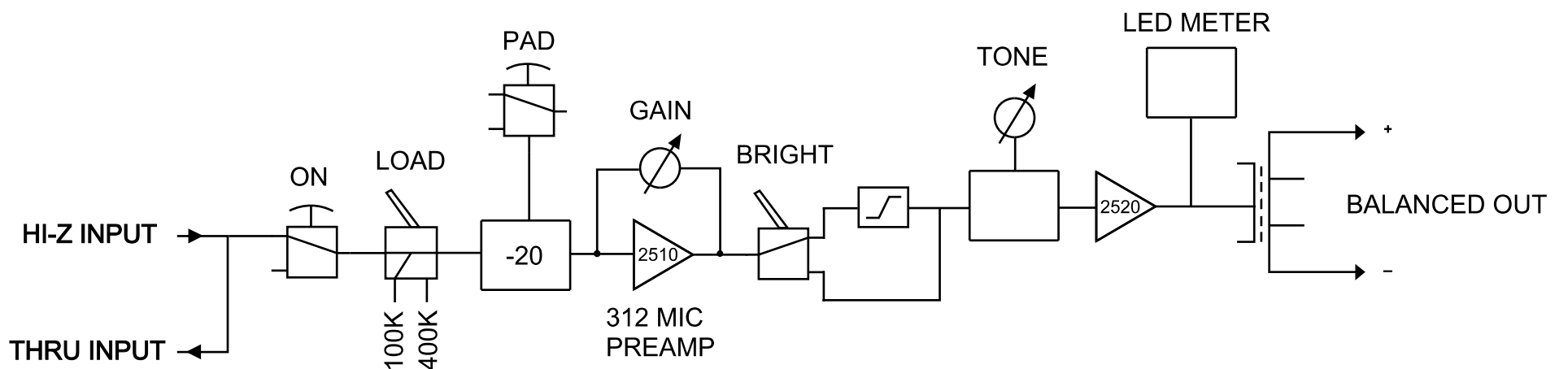
The API 505-DI is an API 500-Series module designed to accept a guitar, bass or keyboard direct input while minimizing loading effects on instrument pickups. The various tone controls on the module create a minimal signal path that can eliminate the need to use a standard direct box. Like all other API products, the 505-DI exhibits the reliability, long life, and uniformity.

FEATURES:

1. Wide range GAIN control with 55 dB of gain
2. 10 segment LED VU meter for monitoring output level
3. Front panel Hi-Z 1/4 inch (instrument/line) input connection
4. Front panel 1/4 inch (instrument/line) thru routing
5. Adjustable TONE control for customizing sound
6. BRIGHT switch adds high shelf to boost clarity and presence
7. Pad switch reduces input signal by 20 dB
8. 100K / 400K load switch allows tone to be altered slightly:
100K - darkens high frequency content, 400K - brightens high frequency content
9. Switch turns output on/off

The API 505-DI also comes with API's unique Five Year Warranty.

BLOCK DIAGRAM



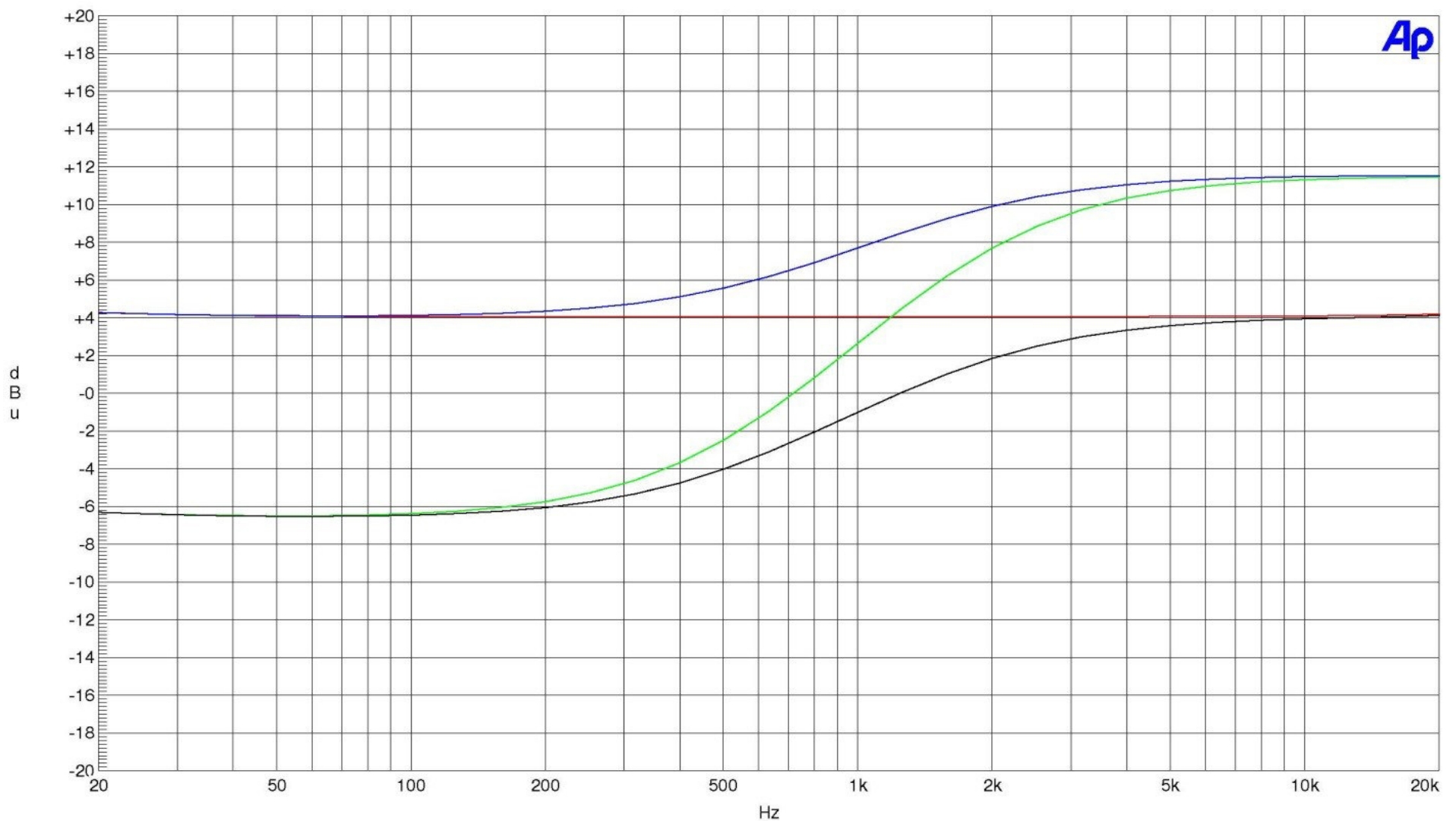
Specifications

- Number of Bands:** Two
- Filter Type:** Passive shelf
- Filter Frequencies:** Low: 150 Hz
High: 8 kHz
- Input Impedance:** > 380 kOhms, un-balanced
- Output Impedance:** 75 Ohms, transformer coupled, balanced
- Nominal Levels:** -40 dBu to +20 dBu
- Clipping Levels:** +30 dBu
- Frequency Response:** 0, -.4, 30 to 20 kHz
- Noise:** 98 dB below +10 dBm output, unweighted.
20 Hz to 20 kHz
- Distortion:** THD: .01% (+4 dB @ 2 k)
- Connector:** 15 position .156" sp. edge connector
- Power Consumption:** ± 16 VDC 130 mA max at +24 dBu out

Audio Precision

505di Frequency Response

03/19/13 11:44:10



Sweep	Trace	Color	Line Style	Thick	Data	Axis	Comment
1	1	Red	Solid	5	Anlr.Level A	Left	Tone to Fatter, No Bright, 4dBu out
2	1	Blue	Solid	5	Anlr.Level A	Left	Tone to Fatter, Bright down
3	1	Green	Solid	5	Anlr.Level A	Left	Tone to Thin, Bright down
4	1	Black	Solid	5	Anlr.Level A	Left	Tone to Thin, No Bright, 4dBu out